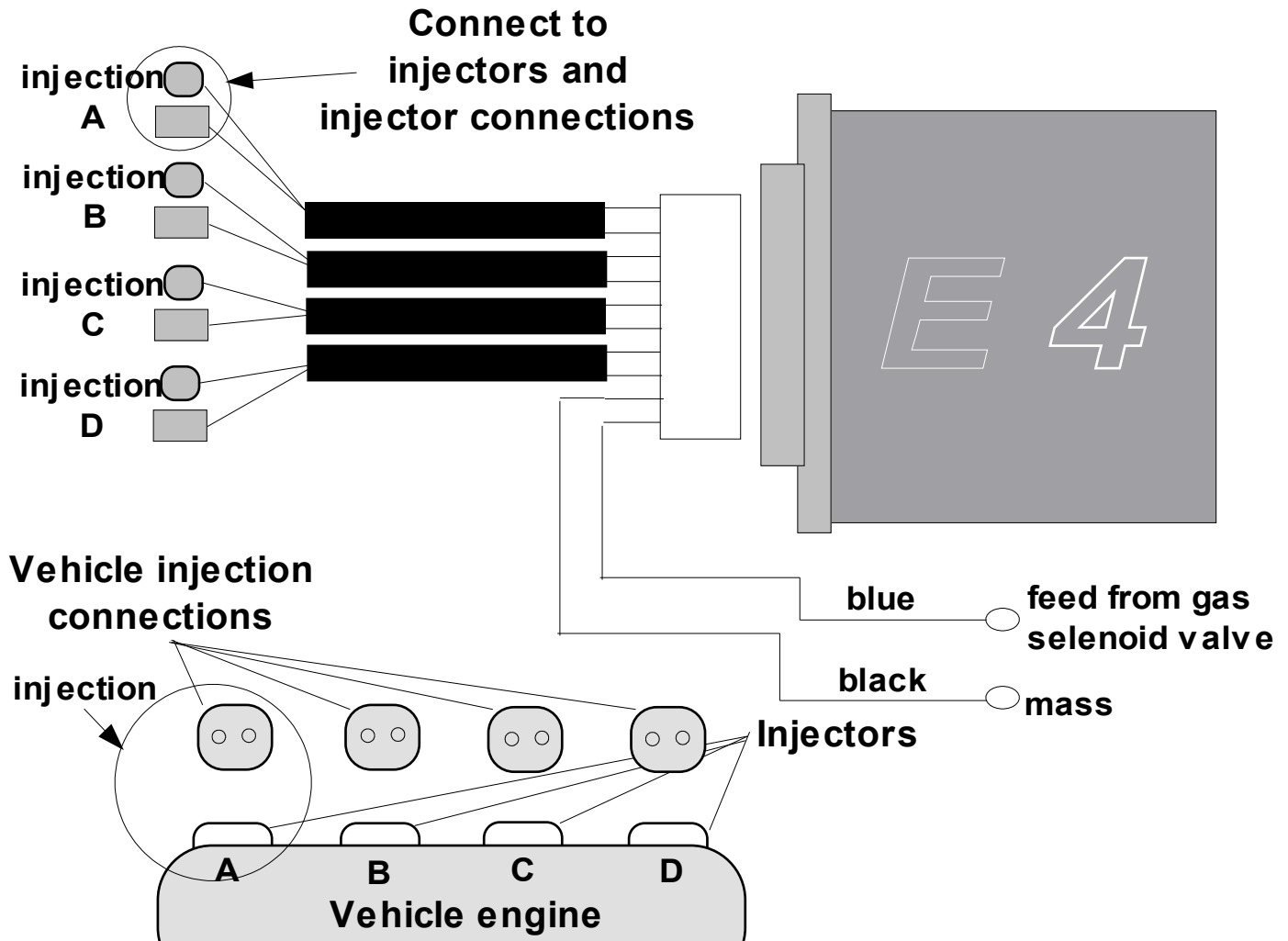


Application of E4 emulator:

"E4" emulator is designed for disconnection of petrol injectors in a vehicle that is equipped with a petrol injection engine and a "propane – butane" gas feed system.

Emulator installation diagram:



Emulator tuning:

After the emulator is installed according to the installation diagram, set the injectors switch off delay time during switching over from petrol to gas. For that purpose, a potentiometer is installed at the connection on the device wall. The time of injectors disconnection is signaled by red LED that is visible on the other side of the connection.

E4 emulator operation:

After installation and setting of injectors switching off time, the emulator does not require additional operation.

DEVICE TECHNICAL DATA:	E4 emulator
Nominal supply voltage	14V
Maximum supply voltage	10..16V
Working temperature	-25...+70 °C
Supply current	0,15A
Emulation input	Remul.=100Ω

Official certificate No.:

E8 67R - 013512

Warranty:

Manufacturer warrants that the system will operate correctly during 12 months from the date of its purchase. In case of improper operation, please send the system complete with the present instructions for use and a description of the fault to the point in which the device was purchased. Systems that were damaged as a result of incorrect installation, interference of unauthorized persons or damaged mechanically are not subject to claims.

Date of manufacturing:

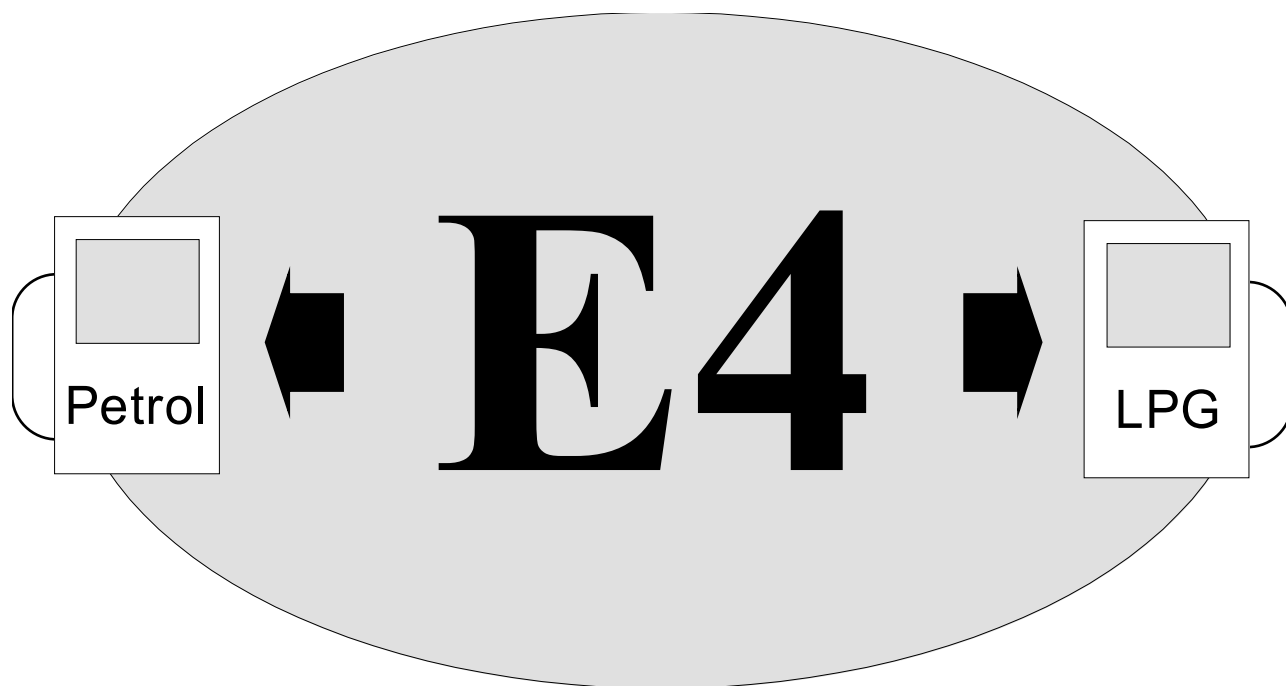
Manufacturer:

LECHO Elektronika autogaz
15-124 Białystok ul. Gen. Andersa 5D/4
tel. (085) 675 45 03; fax. (085) 675 52 34
www.lecholpg.pl

Distributor:

LECHO

Elektronika autogaz



**Injectors emulator for vehicles
equipped with 4 cylinder fuel injection
engines**