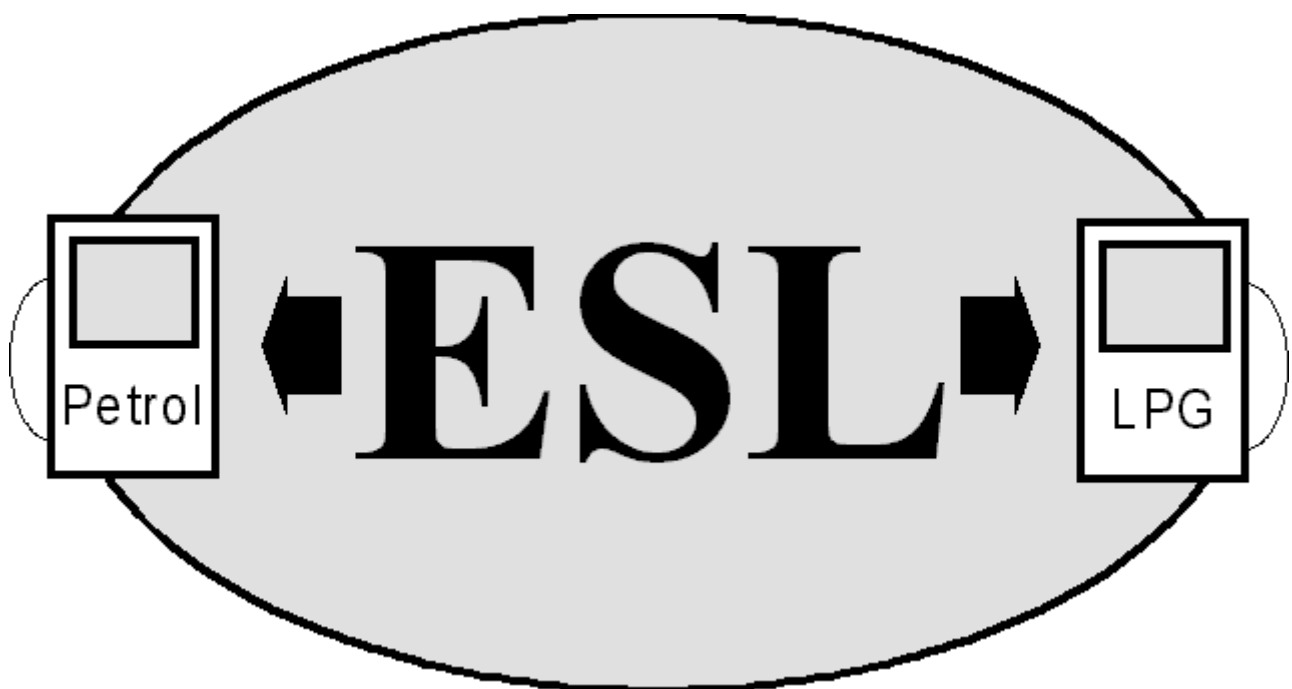


# *LECHO*

Elektronika autogaz

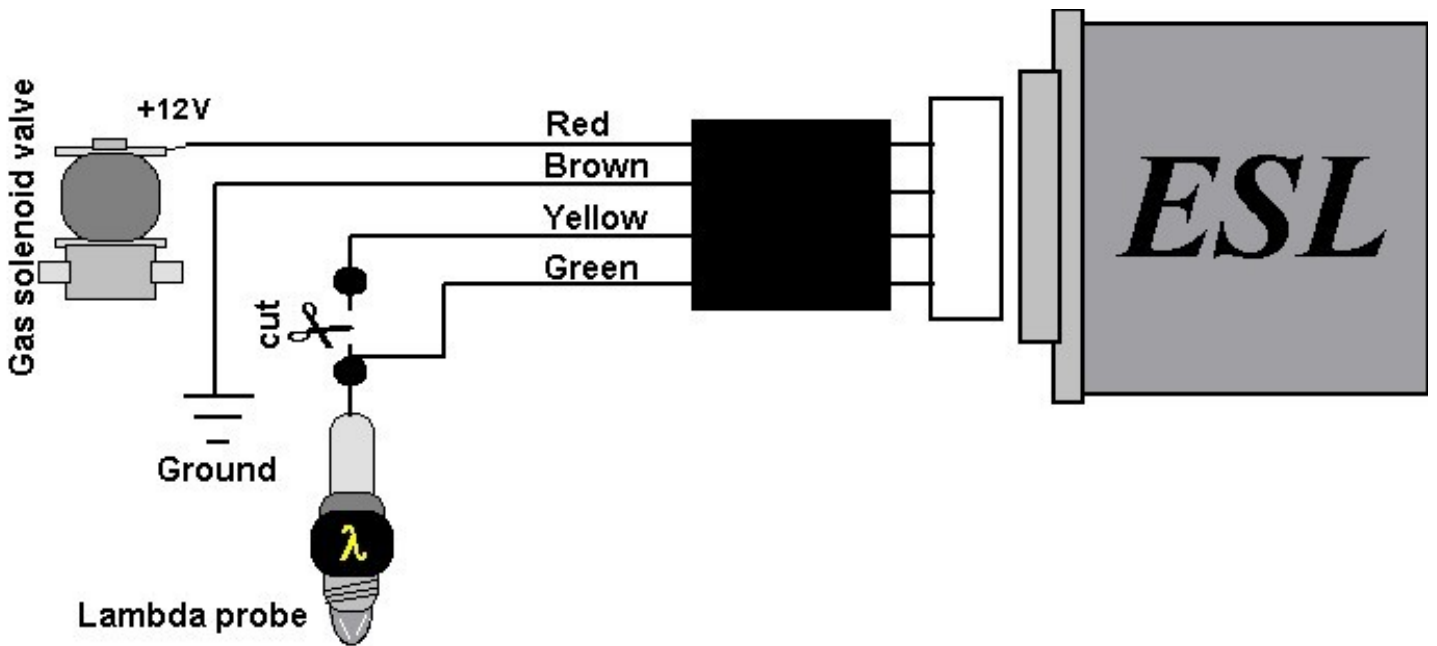


**Lambda probe emulator**

## Use of ESL emulator:

ESL lambda probe emulator is designed to emulate lambda probe with operating power supply range 0 – 1 V.

## Emulator installation blueprint:



- Ground – **black** wire. Connect to the nearest ground point in the vehicle
- +12V Power supply – **red** wire. Connect it to the “+” contact in the gas solenoid valve
- The lambda probe wires. First, cut the lambda probe wire as shown on the blueprint. Then connect the wire from the on-board computer to the emulator **yellow** wire, and connect the wire from the lambda probe to the emulator **green** wire.

## Controller tuning:

After the switch is installed according to the installation diagram, it does not require tuning. The device begins emulation after the gas solenoid valve is switched on.

<b>DEVICE TECHNICAL DATA:</b>	<b>ESL Emulator</b>
Nominal power supply <b>Un</b>	14V
Operating power supply range	10..16V
Operating temperature	-25...+70 degr. C
Nominal supply current <b>In</b>	0,05A
Symulation type	Rectangular wave 0-1V

## **Guarantee:**

The producer guarantees that the device will operate properly for 12 months from the purchase date. In case the device does not operate correctly please send it together with this manual and the problem description to the place where it has been purchased. Devices damaged due to incorrect installing, mechanical damage or interference of incompetent persons are excluded from the guarantee

**Manufacture date:** .....

## **Producer:**

***LECHO*** Elektronika autogaz  
15-124 Białystok ul. Gen. Andersa 5D/4  
tel. (085) 675 45 03; fax. (085) 675 52 34  
[www.lecholpg.pl](http://www.lecholpg.pl)

Distributor: